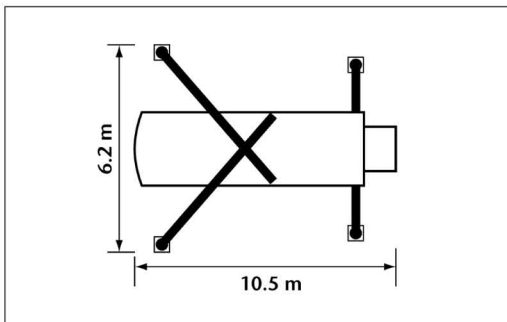
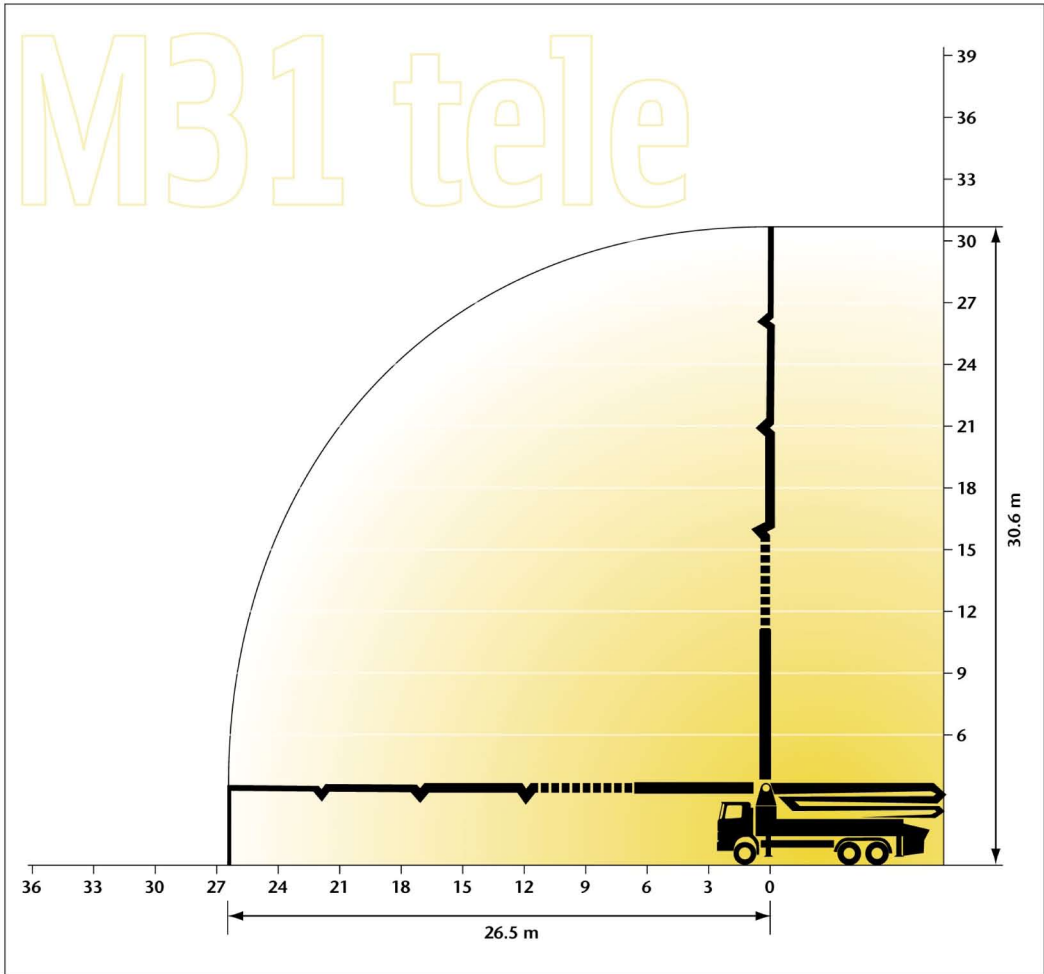


M31 TELESCOPIC - MOBILE CONCRETE BOOM PUMP



M31 – Mobile Concrete Boom Pump

BOOM	M31 TELE
Maximum vertical reach	30.6 m
Maximum gross horizontal reach	26.5 m
Maximum net horizontal reach	24.0 m
Telescope	4.6 m
Reach depth	14.9 m
Minimum unfolding height	5.7 m
Number of arms	4
Pipeline diameter	125 mm
Pump length	10.5 m
Front outrigger spread	6.2 m
Rear outrigger spread	5.7 m

This information is given for guidance only. Due to fleet renewals and pump manufacturers' developments, the pumps supplied may differ slightly from specification outlined above. It is recommended that a site visit is requested if the exact pump dimensions are critical to the pumping operation.